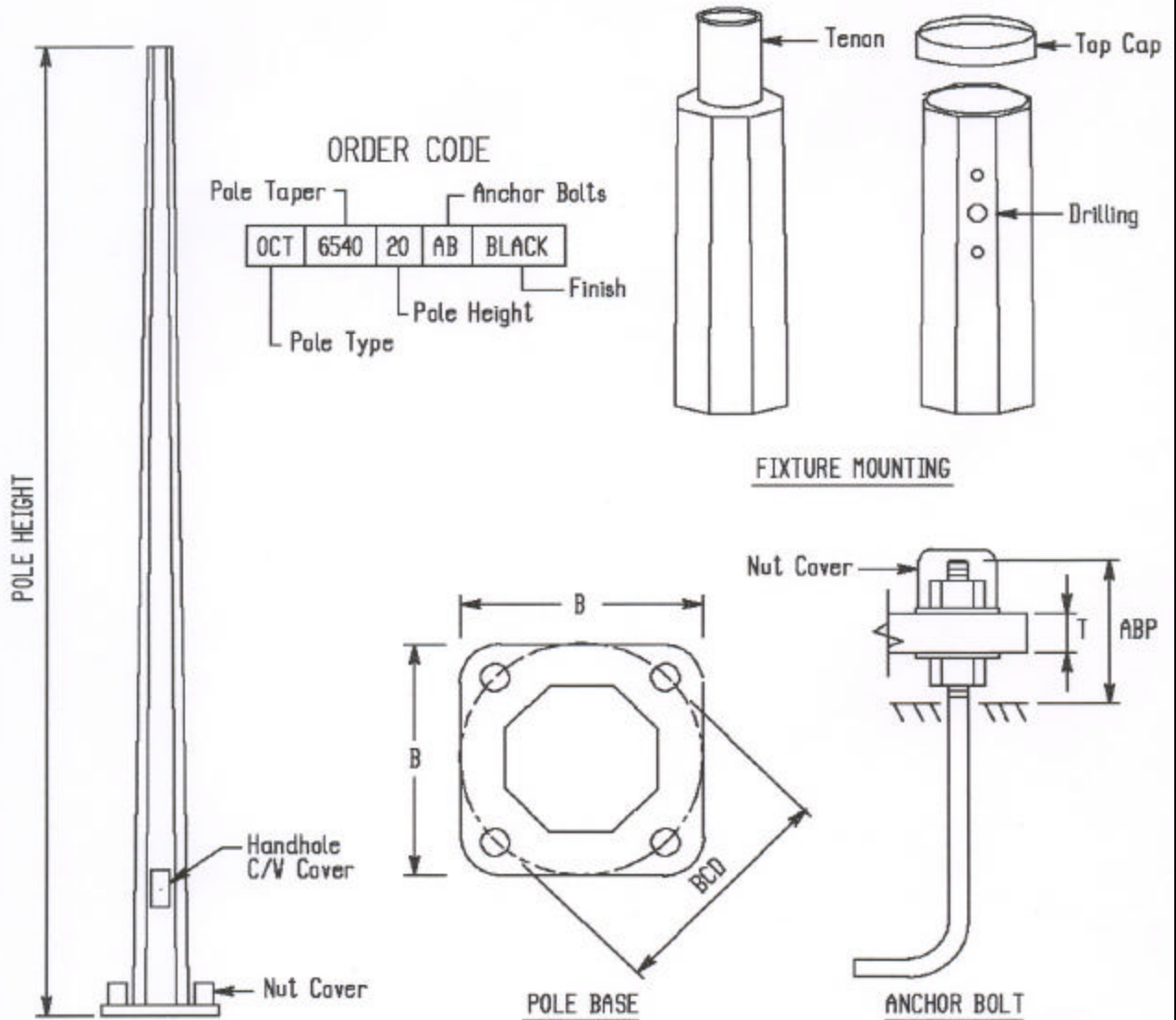


# OCTAGONAL TAPERED STEEL POLES



Pole Height	Cat. No.	Weight	Anchor Bolts	BCD	ABP	Max. EPA*
20'- 0"	OCT-6540-20	180 lbs.	3/4" X 24"	10"	3"	10 sq.ft.
24'- 0"	OCT-7540-24	220 lbs.	3/4" X 24"	11"	3"	10 sq.ft.
27'- 0"	OCT-7840-27	250 lbs.	7/8" X 24"	11"	3"	10 sq.ft.
30'- 0"	OCT-8040-30	285 lbs.	1" X 34"	12"	4"	10 sq.ft.
35'- 0"	OCT-8740-35	350 lbs.	1" X 34"	13"	4"	10 sq.ft.
40'- 0"	OCT-9040-40	440 lbs.	1 1/4" X 48"	14"	5"	10 sq.ft.

All steel shall be to CSA G40.21 with a 50 ksi yield.  
 All welding in accordance with CSA W59 & W47.1.  
 Designed to AASHTO with 80 mph wind speed & 1.3 gust factor.  
 Designed for EPA listed, effective projected area (epa)

File# OCT-CATI September /2003

1. Pole to be used for luminaire support only.  
Maximum luminaire arm 8 feet. (Max. total eccentricity 9ft.)
2. Maximum 150 lbs supported weight.
3. Poles designed for base mounting only.
4. Anchors are engineered for pole size. (floating design by others)

**SPINA'S STEEL WORKERS CO. LTD.**

229 Wilkinson Road, Brampton, ON L6T 4M2 Tel: (905) 453-2211 Fax: (905) 453-8334

www.spinasteel.com