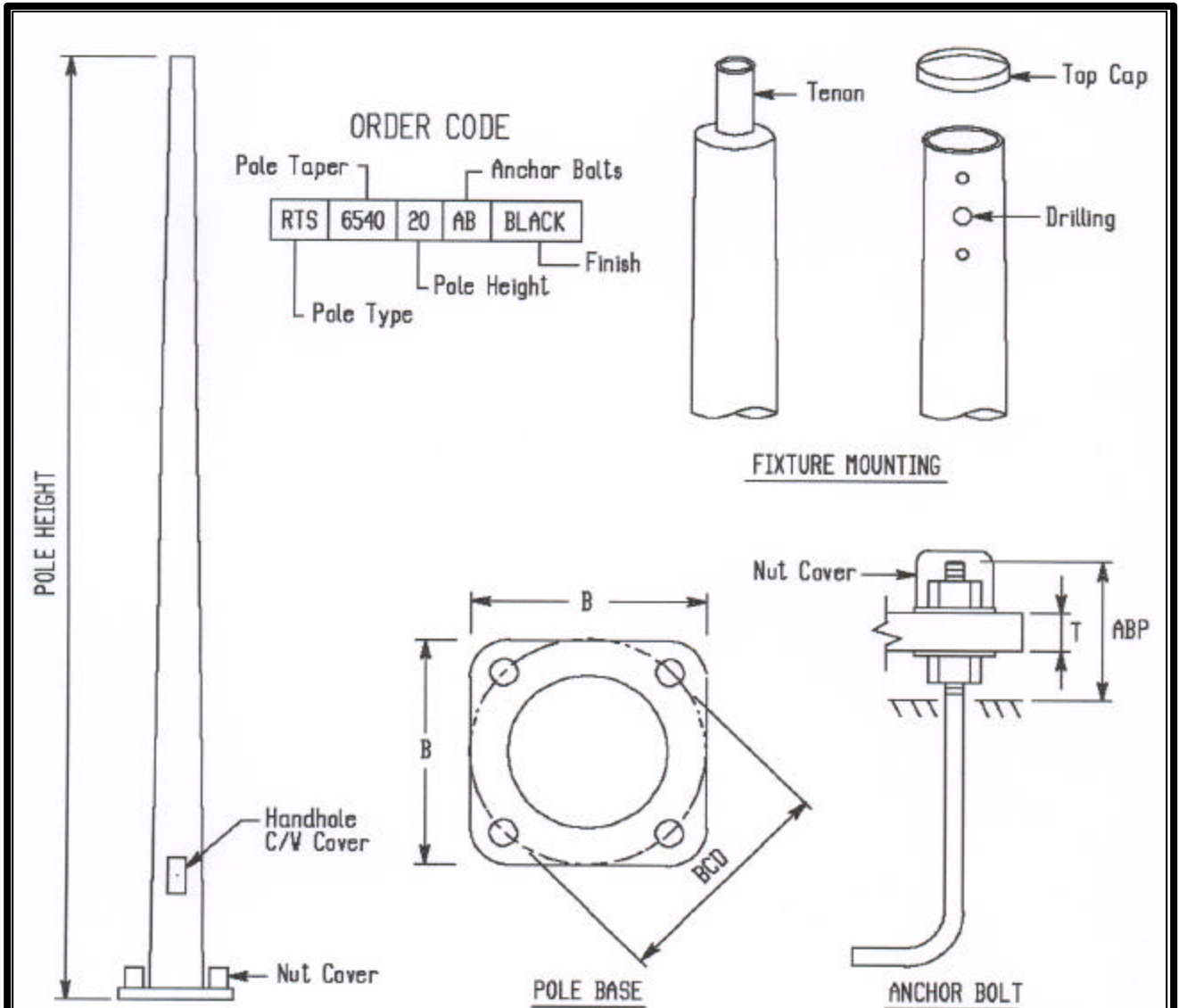


ROUND TAPERED STEEL POLES



Pole Height	Cat. No.	Weight	Anchor Bolts	BCD	ABP	Max. EPA*
20'- 0"	RTS-6540-20	150 lbs.	3/4" X 24"	10"	3"	10 sq.ft.
24'- 0"	RTS-7040-24	190 lbs.	7/8" X 24"	11"	3"	10 sq.ft.
30'- 0"	RTS-8040-30	265 lbs.	1" X 34"	12"	4"	10 sq.ft.
35'- 0"	RTS-8540-35	327 lbs.	1" X 34"	13"	4"	10 sq.ft.
37'- 0"	RTS-8740-37	350 lbs.	1" X 34"	13"	4"	10 sq.ft.
40'- 0"	RTS-9040-40	380 lbs.	1 1/4" X 48"	13"	5"	10 sq.ft.

All steel shall be to CSA G40.21 with a 50 ksi yield.
 All welding in accordance with CSA W59 & W47.1.
 Designed to AASHTO with 80 mph wind speed & 1.3 gust factor.
 Designed for EPA listed, effective projected area (epa)

File# RTS-CAT1 September /2003

1. Pole to be used for luminaire support only.
Maximum luminaire arm 8 feet. (Max. total eccentricity 9ft.)
2. Maximum 150 lbs supported weight.
3. Poles designed for base mounting only.
4. Anchors are engineered for pole size (footing design by others)

SPINA'S STEEL WORKERS CO. LTD.

229 Wilkinson Road, Brampton, ON L6T 4M2 Tel: (905) 453-2211 Fax: (905) 453-8334

www.spinasteel.com