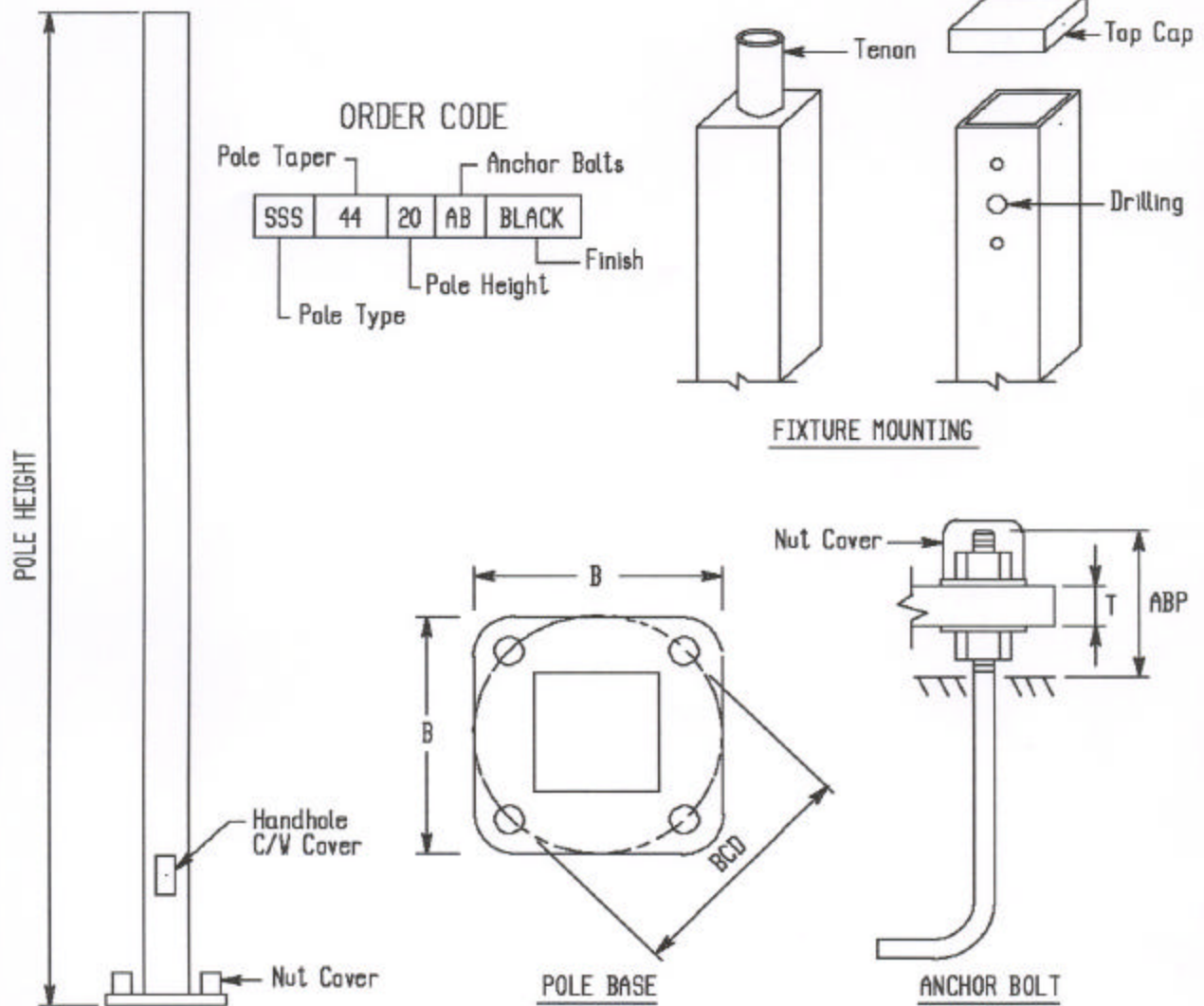


# STRAIGHT SQUARE STEEL POLES



Pole Height	Cat. No.	Weight	Anchor Bolts	BCD	ABP	Max. EPA*
10'- 0"	SSS-4410	80 lbs.	3/4" X 24"	8"	3"	10 sq.ft.
12'- 0"	SSS-4412	94 lbs.	3/4" X 24"	8"	3"	10 sq.ft.
15'- 0"	SSS-4415	114 lbs.	3/4" X 24"	8"	3"	10 sq.ft.
20'- 0"	SSS-4420	150 lbs.	3/4" X 24"	8"	3"	10 sq.ft.
24'- 0"H	SSS-4424H	235 lbs.	7/8" X 24"	8"	3"	5 sq.ft.
20'- 0"	SSS-5520	205 lbs.	7/8" X 24"	10"	3"	10 sq.ft.
24'- 0"	SSS-5524	245 lbs.	1" X 34"	10"	4"	10 sq.ft.
30'- 0"	SSS-5530	336 lbs.	1" X 34"	10"	4"	5 sq.ft.
30'- 0"H	SSS-5530H	396 lbs.	1" X 34"	10"	4"	8 sq.ft.

All steel shall be to CSA G40.21 with a 50 ksi yield.  
 All welding in accordance with CSA W59 & W47.1.  
 Designed to AASHTO with 80 mph wind speed & 1.3 gust factor.  
 Designed for EPA listed, effective projected area (epa)

1. Pole to be used for luminaire support only.  
Maximum luminaire arm 2 feet. (Max. total eccentricity 3ft.)
2. Maximum 150 lbs supported weight.
3. Poles designed for base mounting only.
4. Anchors are engineered for pole size. (footing design by others)

File# SSS-CATI September /2003

## SPINA'S STEEL WORKERS CO. LTD.

229 Wilkinson Road, Brampton, ON L6T 4M2 Tel: (905) 453-2211 Fax: (905) 453-8334  
 www.spinasteel.com